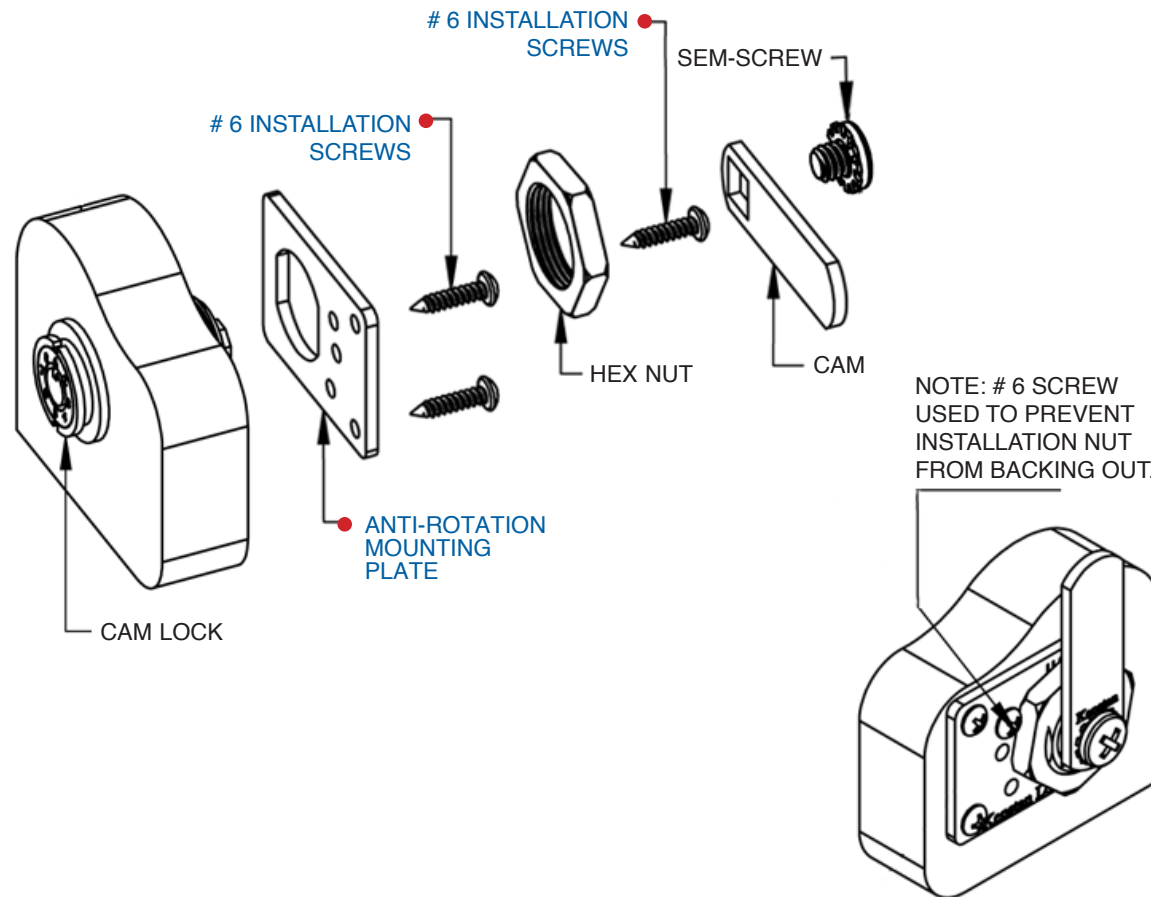


Kenstan

LOCK COMPANY

CLK2 Cam Lock

WOOD INSTALLATION **W**



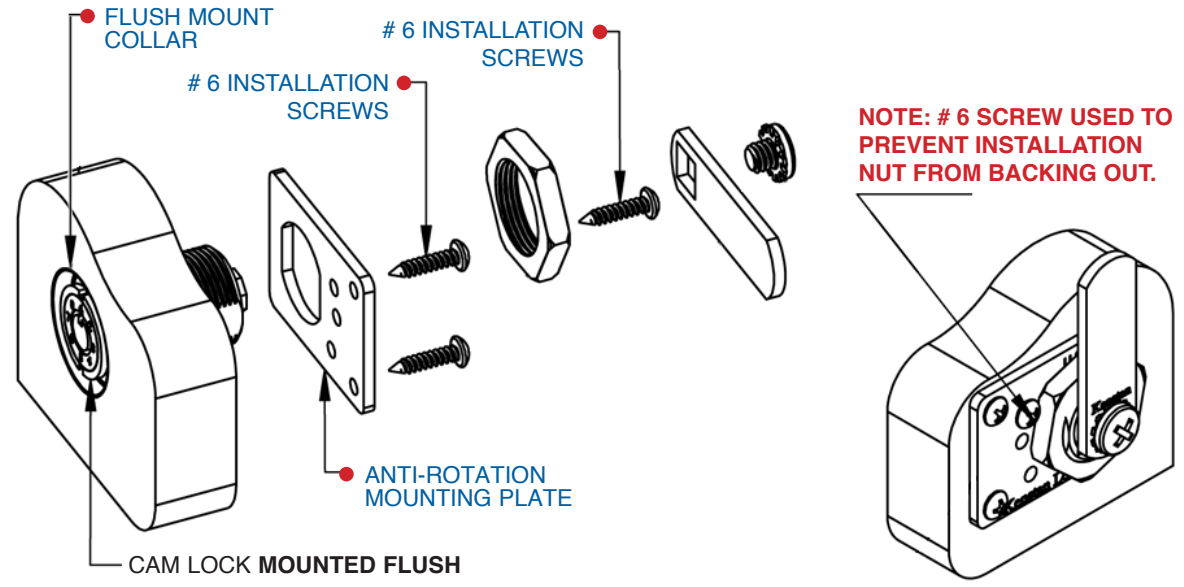
Note: Do not apply more than 20 in/lb of torque to tighten Sem Screw.

Kenstan

LOCK COMPANY

CLK2 Cam Lock

WOOD INSTALLATION FLUSH MOUNT **WF**



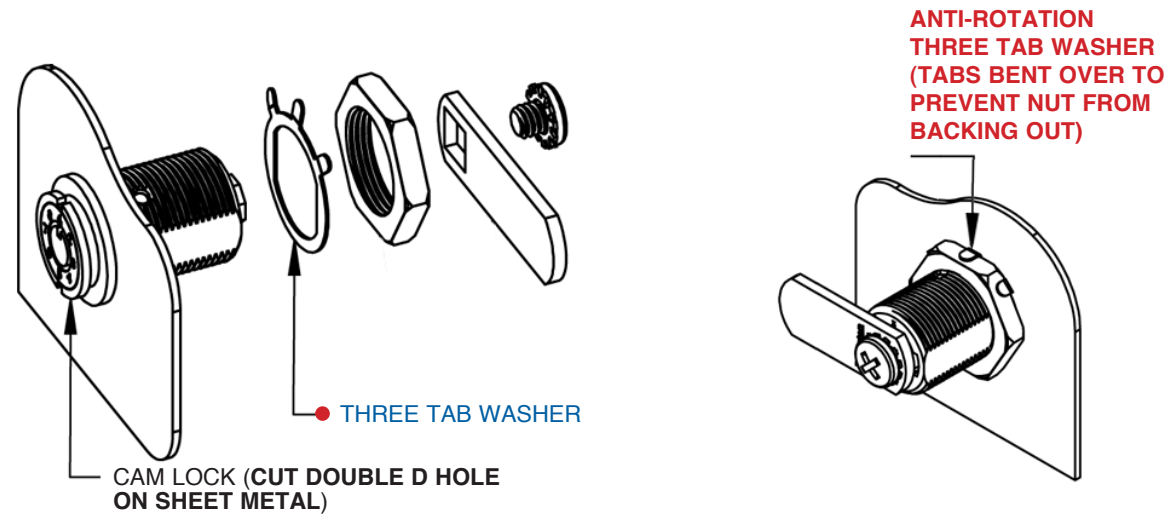
Note: Do not apply more than 20 in/lb of torque to tighten Sem Screw.

Kenstan

LOCK COMPANY

CLK2 Cam Lock

METAL INSTALLATION **M**



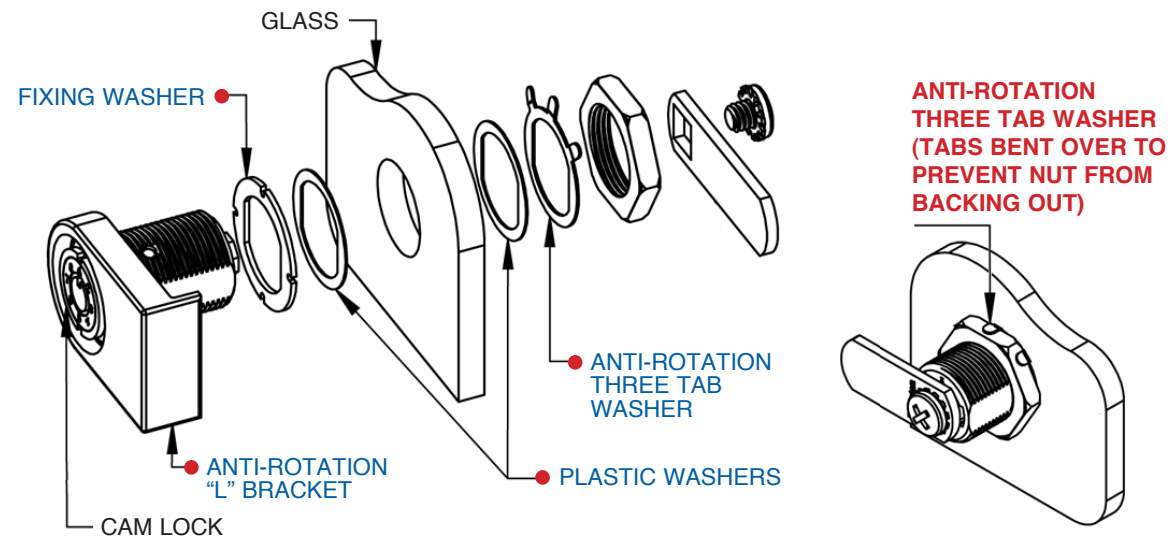
Note: Do not apply more than 20 in/lb of torque to tighten Sem Screw.

Kenstan

LOCK COMPANY

CLK2 Cam Lock

GLASS INSTALLATION - ROUND HOLE **GR**



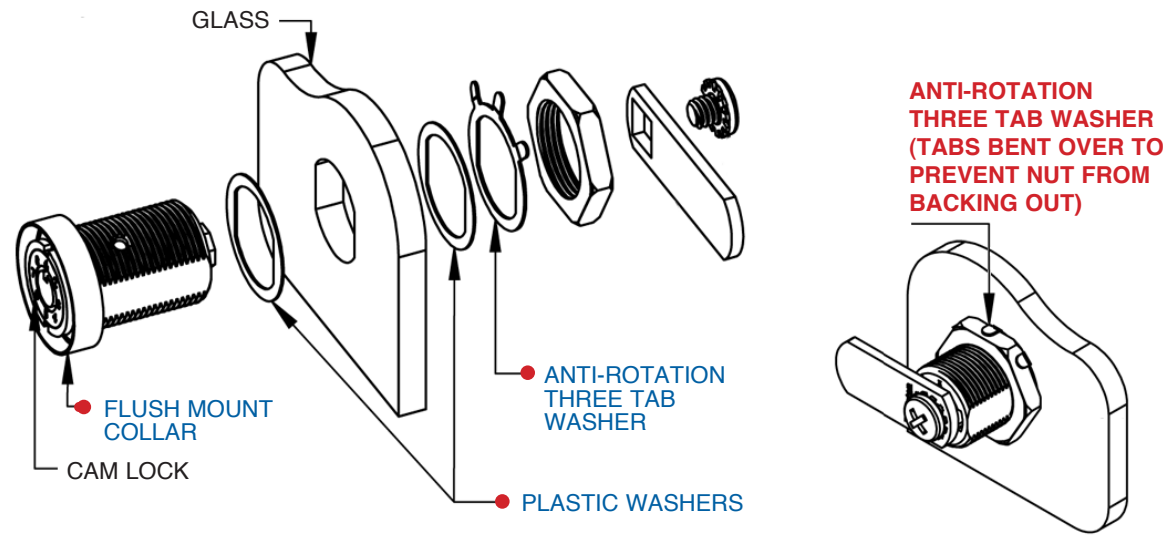
Note: Do not apply more than 20 in/lb of torque to tighten Sem Screw.

Kenstan

LOCK COMPANY

CLK2 Cam Lock

GLASS INSTALLATION - DOUBLE D HOLE **GD**



Note: Do not apply more than 20 in/lb of torque to tighten Sem Screw.