

Kenstan

LOCK COMPANY

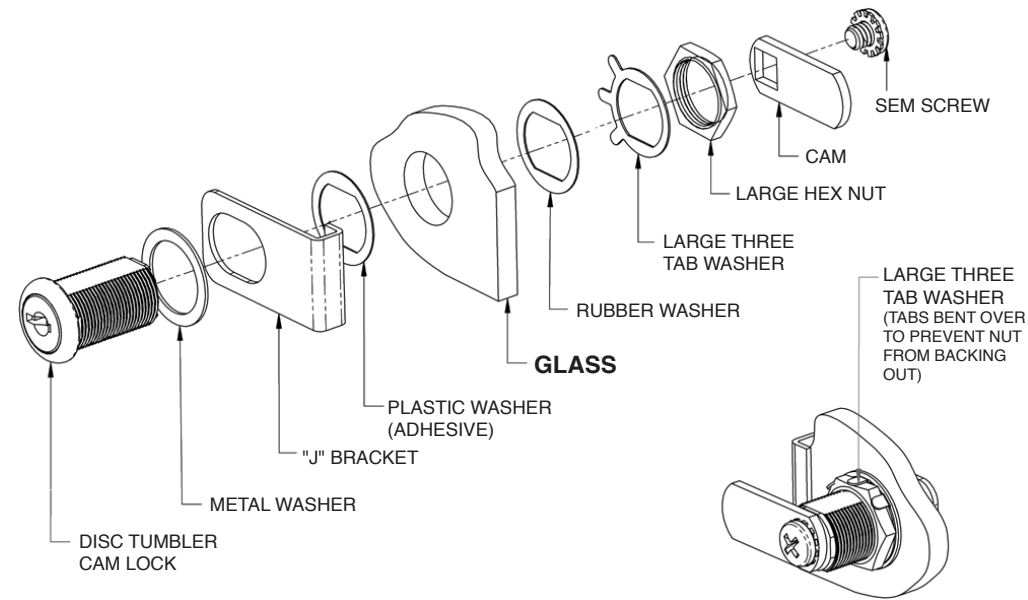


D Disc Tumbler Cam Lock Installation Instructions for:

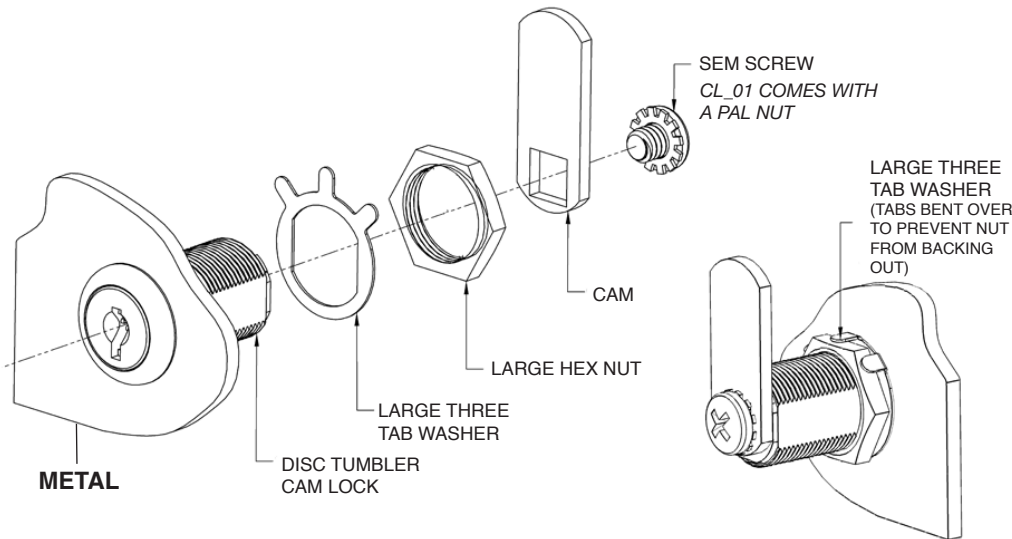
- Glass
- Metal
- Wood

Note: Do not apply more than 61 in/lb of torque to tighten Sem Screw.

GLASS INSTALLATION - Cam locks (CL_01, 02 or 03) SHOWN with Glass package CLJK25



METAL INSTALLATION - Parts come standard with the CL_01, 02 & 03 Cam locks



WOOD INSTALLATION - Parts come standard with the CL_04, 05 & 06 Cam locks

